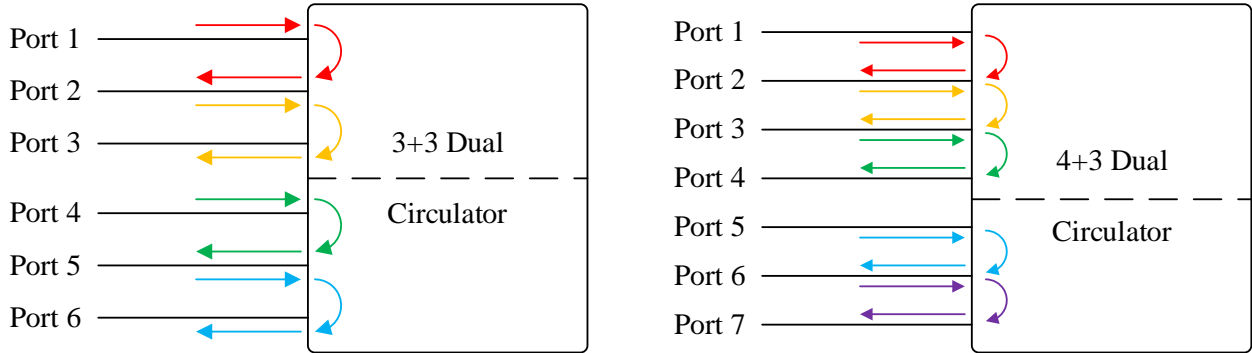


Product: Mini Dual Circulator

| Part Number | Spec Number | Version | Date |
|------------------|-------------|---------|------------|
| DCIRXXXXXXXXXXXX | S004 | Rev 01 | 05/08/2023 |

1 Function Diagram



2 Specifications

2.1 Environment Conditions

| Item | Parameters | Symbol | Min | Typ | Max | Units | Note |
|------|-----------------------------|--------|-----|-----|-----|-------|------|
| 1. | Operating Temperature | Top | 0 | | 70 | °C | |
| 2. | Storage Temperature | Tstor | -40 | | 85 | °C | |
| 3. | Operating Relative Humidity | RHop | 5 | | 95 | % | [1] |
| 4. | Storage Relative Humidity | RHstor | 5 | | 95 | % | [1] |

Note:

[1] Not to exceed industrial standard of 0.024 kg water per kg of dry air under non-condensing conditions.

2.2 Optical Specifications

| Item | Parameters | Symbol | Min | Typ | Max | Units | Note |
|------|---|--------|----------------|-------------|------|-------|------|
| 5. | Operation Wavelength | C-band | λ_{op} | 1525 ~ 1570 | | nm | |
| | | L-band | λ_{op} | 1570 ~ 1610 | | nm | |
| 6. | Insertion Loss (1→2, 2→3, 3→4; 5→6, 6→7) | IL | | | 1.2 | dB | |
| 7. | Isolation (2→1, 3→2, 4→3; 6→5, 7→6) | Iso | 30 | | | dB | |
| 8. | Polarization Dependent Loss | PDL | | | 0.25 | dB | |
| 9. | Directivity (1→3, 2→4; 5→7) | Dir | 40 | | | dB | |
| 10. | Crosstalk (4→5; 5→4) | CT | 50 | | | dB | |
| 11. | Return Loss (All Ports) | RL | 40 | | | dB | |
| 12. | Polarization Mode Dispersion | PMD | | | 0.2 | ps | G |
| 13. | Optical Power | Pop | | | 500 | mW | G |

Note:

*Above specifications are for device without connector. IL is 0.3 dB higher, RL is 5 dB lower after connector added.

G: Guaranteed by design.

2.3 Mechanical Specifications

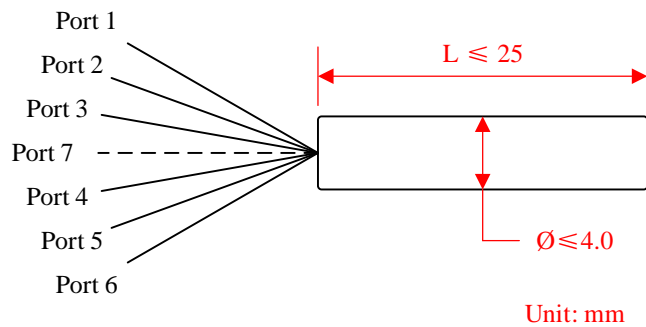
2.3.1 Specifications

| Item | Parameters | Symbol | Min | Typ | Max | Units | Note |
|------|-------------------|--------|--|------------|-----|-------|------|
| 14. | Fiber Type | | | By PN | | | |
| 15. | Fiber Length | | | By PN | | m | |
| 16. | Fiber Jacket | | | Bare fiber | | | |
| 17. | Connector Type | | | By PN | | | |
| 18. | Package Dimension | | $\varnothing = 4.0 \pm 0.1 \times L \leq 22$ | | | mm | |
| 19. | Fiber Color | Port 1 | | Black | | | [2] |
| | | Port 2 | | Red | | | [2] |
| | | Port 3 | | Orange | | | [2] |
| | | Port 4 | | Blue | | | [2] |
| | | Port 5 | | Green | | | [2] |
| | | Port 6 | | Purple | | | [2] |
| | | Port 7 | | Natural | | | |

Note:

[2] Mark the bare fiber starting at 10~30cm away from the device body to fiber end.

2.3.2 Drawing



3 Device Label, Delivery Data

Triple-Stone standard format.

4 RoHS

RoHS compliant.

5 Ordering Information

